



# TEST PROBE



## SXP ATTENUATOR TEST PROBE

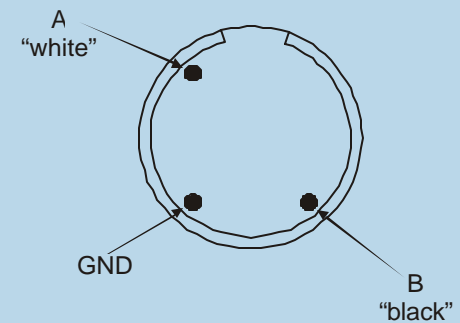
- Provides access to broadband RF signal spectrum at any SXP attenuator or injection location for monitoring.
- Available in two versions, with input pin at A (P/N CA009947) or B (P/N CA009948).
- Cable length: 8 inches.
- Unused RF pin is left "open".



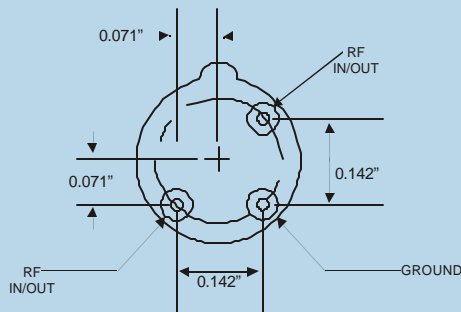
Typical Insertion Loss of Test Point Cable	
5 MHz	0 dB
100 MHz	0.10 dB
500 MHz	0.15 dB
750 MHz	0.30 dB
870 MHz	0.35 dB
1000 MHz	0.50 dB

Specifications subject to change without notice.

SXP Socket  
Top View



FOOTPRINT



CAFRM0123

Phone (256) 835-0900  
Fax (256) 835-0992 / 835-1502  
E-mail us at [sales@caisolutions.com](mailto:sales@caisolutions.com)  
[www.caisolutions.com](http://www.caisolutions.com)

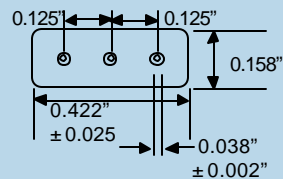
## JXP ATTENUATOR TEST PROBE

- Provides access to broadband signal spectrum at any JXP attenuator location for monitoring or injection.
- Useful for setup or trouble shooting.
- Unused RF pin is left "open".



P/N CA008927

FOOTPRINT



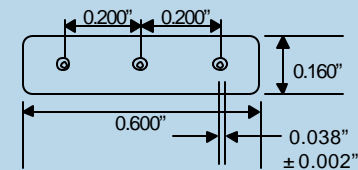
## SPB ATTENUATOR TEST PROBE

- Provides access to broadband signal spectrum at any SPB attenuator location for monitoring or injection.
- Useful for setup or trouble shooting.
- Unused RF pin is left "open".



P/N CA008928

FOOTPRINT



Typical Insertion Loss of Test Point Cable	
5 MHz	0 dB
100 MHz	0.10 dB
500 MHz	0.15 dB
750 MHz	0.30 dB
870 MHz	0.35 dB
1000 MHz	0.50 dB

Specifications subject to change without notice.

Phone (256) 835-0900  
Fax (256) 835-0992 / 835-1502

E-mail us at [sales@caisolutions.com](mailto:sales@caisolutions.com)  
[www.caisolutions.com](http://www.caisolutions.com)